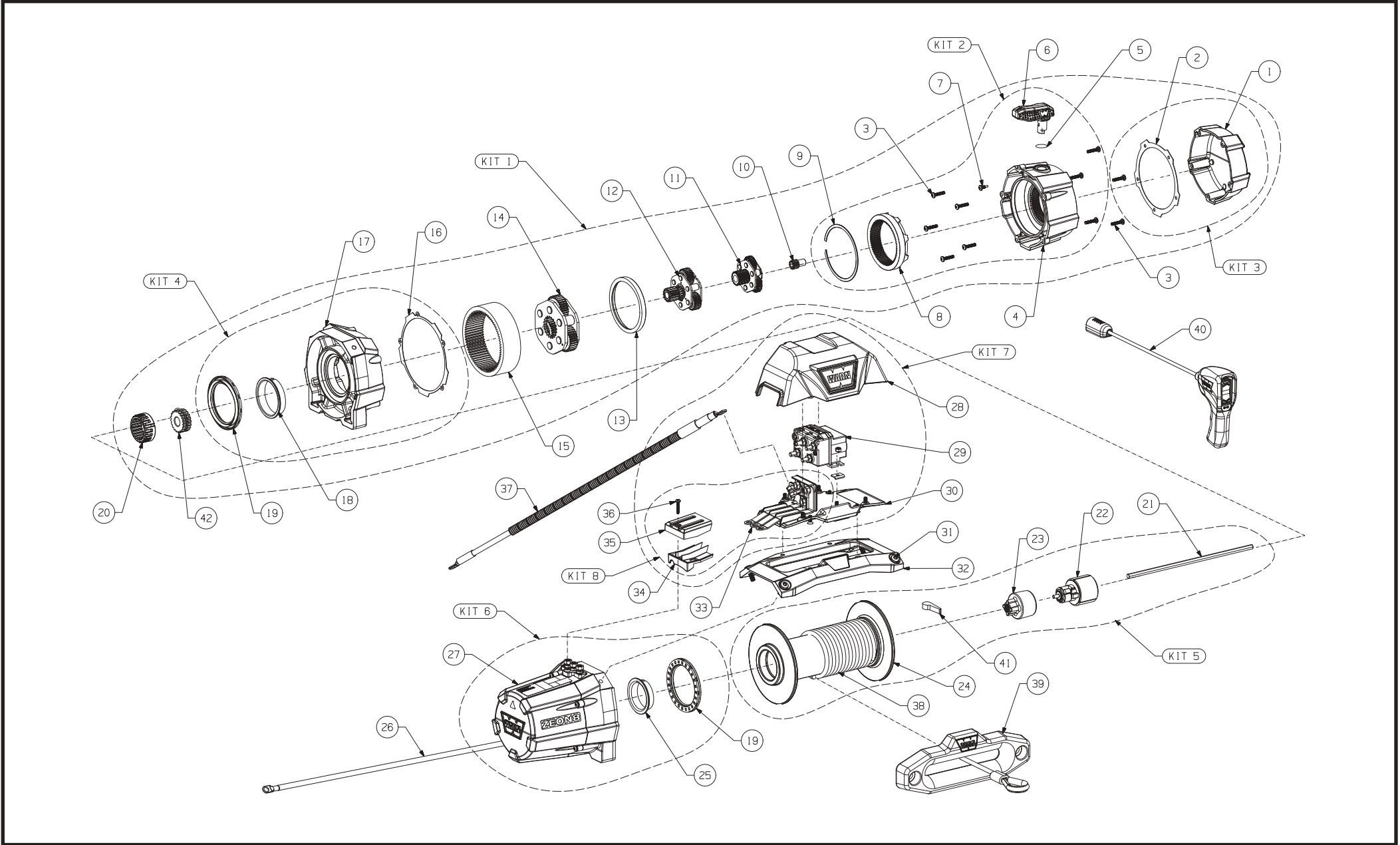




ZEON 8-S WINCH



SERVICE INSTRUCTIONS

Should you encounter a problem during installation or operation of your winch, please follow these steps toward resolving the problem:

1. Refer to your operator's guide and installation instructions. It has illustrations and detailed information on the installation and safe and proper operation of your winch. It also includes a replacement parts list and assembly diagrams. If you are unable to resolve the problem, then go to step 2.
2. Contact your dealer where you purchased your winch. If, after discussing the problem with their parts and service staff, you are still unable to resolve the problem then go to step 3.
3. Call an Authorized WARN Service center from the list provided on the back of the warranty sheet included with the product. When calling, please have the following information available: winch model number and purchase date, make, model and year of vehicle.
4. If you are unable to resolve the problem to your satisfaction, please call Warn Industries Customer Service at: 1-800-543-9276. When calling, please have the following information available: winch model number and purchase date, make, model and year of vehicle. You may also contact Warn Industries by visiting our website: www.warn.com

SERVICE/UPGRADE KITS

	PN#	ITEM	QTY	DESCRIPTION
KIT 1	89302			S/P, TRANSMISSION 162, ASSY
		8	1	ROTATING RING GEAR
		9	1	RETAINING RING
		(2)	1	S/P, END HOUSING, ASSEMBLY
		(3)	1	S/P, END CAP
		(4)	1	S/P, DRUM SUPPORT, GEARTRAIN
		10	1	SUN GEAR, 12T
		11	1	CARRIER ASSY, STAGE 1
		21	1	DRIVE SHAFT
		12	1	CARRIER ASSY, STAGE 2
		13	1	WASHER, THRUST
		14	1	CARRIER ASSY, STAGE 3
		15	1	RING GEAR, 75T
		20	1	DRIVE SPLINE
		42	1	DRUM DRIVER
KIT 2	89237			S/P, END HOUSING, ASSEMBLY
		6	1	CLUTCH LEVER
		5	1	SEAL, O-RING
		7	1	DETENT, M5 SCREW
		8	1	ROTATING RING GEAR
		9	1	RETAINING RING
		2	1	GASKET, END CAP
		6	1	GEARTRAIN GASKET
		3	10	TORX, PAN HEAD, M5-0.8 x 25

KIT 3	89238			S/P, END CAP	
			1	END CAP	
			2	GASKET, END CAP	
			3	TORX, PAN HEAD, M5-0.8 x 25	
KIT 4	89239			S/P, DRUM SUPPORT, GEARTRAIN	
			17	DRUM SUPPORT, GEARTRAIN	
			18	DRUM BUSHING	
			19	DRUM SEAL	
			16	GEARTRAIN GASKET	
			3	TORX, PAN HEAD, M5-0.8 x 25	
KIT 5	89240			S/P, BRAKE ASSY	
			22	BRAKE ASSY	
			21	DRIVE SHAFT	
			23	CASTING, MOTOR COUPLER	
			24	DRUM	
KIT 6	89241			S/P, MOTOR 3 TURN	
			27	MOTOR 3 TURN	
			25	DRUM BUSHING, MOTOR	
			19	DRUM SEAL	
KIT 7	89245			S/P, CONTROL PACK, 25mm2	
			30	S/P 12VDC CONTACTOR PLATE ASSEMBLY	
			28	S/P CONTROL PACK COVER ASSEMBLY	
			26	GROUND CABLE 25mm2	
			37	POWER CABLE 25mm2	
KIT 8	89627			S/P BUS BARS	
			33	BUS BARS	
			35	TOP, BUSS BAR COVER	
			34	BASE, BUSS BAR COVER	
			36	TORX, PAN HEAD, M6-1.0 x 25	
				INDIVIDUAL ITEMS	
			13874	10	SUN GEAR, 12T
			88690	11	CARRIER ASSY, STAGE 1
			88251	21	DRIVE SHAFT
			88508	12	CARRIER ASSY, STAGE 2
			88543	13	WASHER, THRUST
			88521	14	CARRIER ASSY, STAGE 3
			88252	15	RING GEAR, 75T
			90281	20	DRIVE SPLINE
			13824	42	DRUM DRIVER
			90052	41	ANCHOR PUCK
			89242	32	S/P, TIE PLATE
			87915	38	S/P, SYNTHETIC ROPE ASSY, 3/8x100'
			87914	39	S/P, FAIRLEAD, HAWSE
			81400	29	S/P 12VDC CONTACTOR
			89626	30	S/P 12VDC CONTACTOR PLATE ASSEMBLY
			89244	28	S/P CONTROL PACK COVER ASSEMBLY
			83665	40	S/P REMOTE CONTROL
			87452	26	GROUND CABLE 25mm2
			88692	37	POWER CABLE 25mm2
			88371	3	10 TORX, PAN HEAD, M5-0.8 x 25
			88682	26	1 TORX, PAN HEAD, M6-1.0 x 25
			83475	31	4 TORX, PAN HEAD, M8-1.25 x 25